

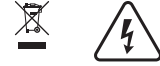
GEMINI 2X1 HARD



www.litepanels.com

STUDIO FULL COLOR LENSED PANEL LED FIXTURE (940-2001)

SAFETY INFORMATION



To clean the GEMINI 2X1 HARD, wipe with a clean, dry, non-abrasive cloth only.

Weight (including Yoke, not including accessories): 12.3 kg [27.1 lb]

Dimensions (including Yoke, not including accessories): W = 74.8 cm [29.4 in], H = 52.9 cm [20.8 in], D = 17.6 cm [6.9 in]

Do not restrict air flow around the GEMINI 2X1 HARD. Keep the fixture's air intakes and air exhaust space clear of obstruction.

Plug the GEMINI 2X1 HARD into a mains electrical outlet using only a provided AC powerCON power cable or one specified by Litepanels®. Protect the cable from pinching, twisting, or crushing. Use a mains electrical outlet that is grounded and rated for 100-240VAC, 50/60Hz only.

Do not use, mount, transport, or store the GEMINI 2X1 HARD near radiators, space heaters, ovens, stoves, heat registers, open flame, or any heat source, or in an environment with an ambient temperature greater than 65°C [149° F].

The GEMINI 2X1 HARD is suitable for operation only in an environment as follows: ambient air temperature between -20°C and 45°C [between -4°F and 113°F]; less than 85% relative humidity (RH), no condensation. Use in a dry environment; do not place on a wet surface or submerge the GEMINI 2X1 HARD in liquid.

WARNING: Tampering with or disassembling the GEMINI 2X1 HARD may result in electric shock and will void the manufacturer's warranty.

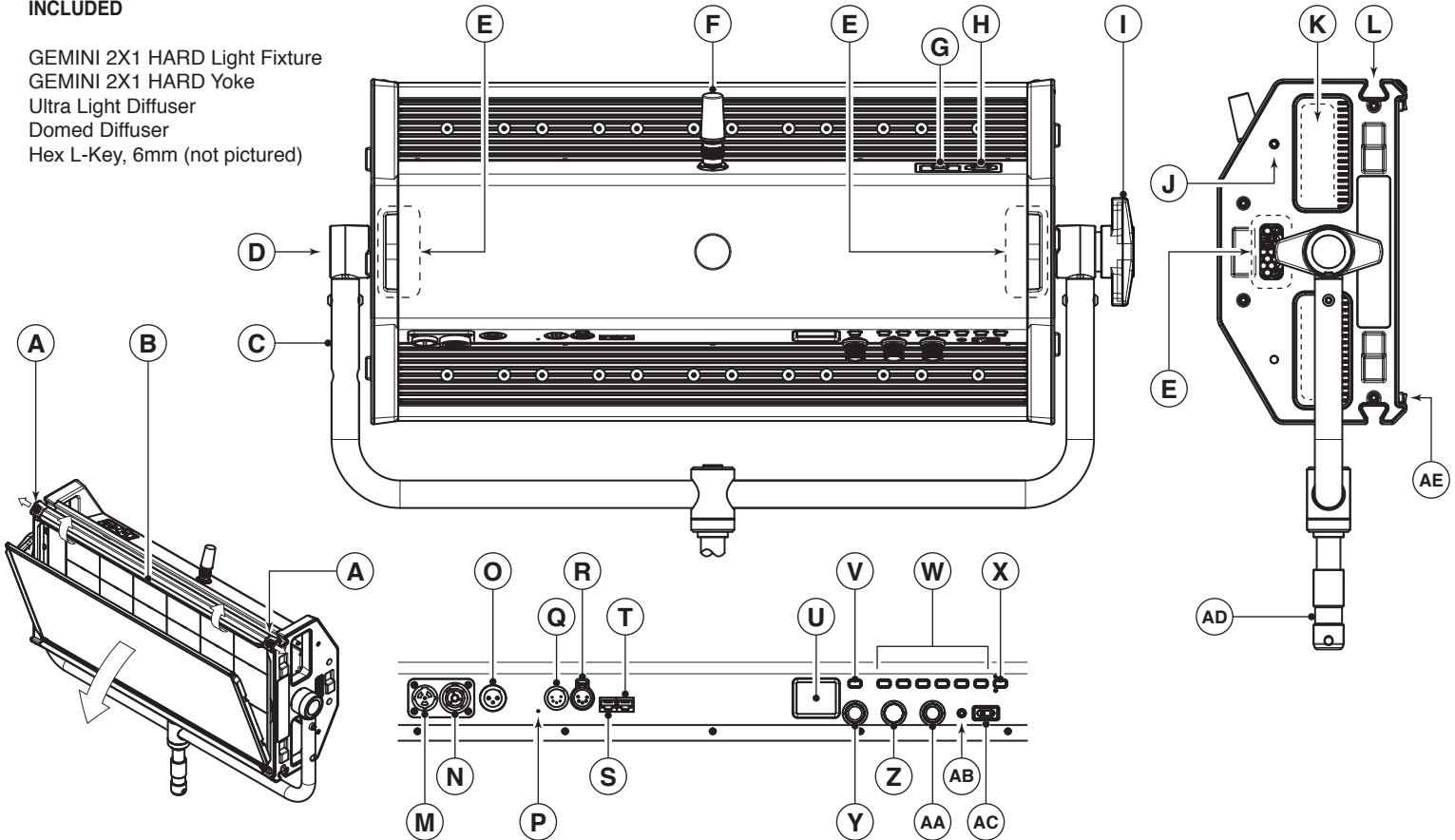
WARNING: To reduce the risk of electric shock or fire, do not expose the GEMINI 2X1 HARD to rain, moisture, or liquids.

Immediately consult with qualified Litepanels® service personnel if any of the following have occurred: The fixture has been dropped or impacted; the power cable has been damaged; the fixture has been exposed to rain, moisture, or liquid; or the fixture does not operate normally.

This device complies with Part 15 of the FCC Rules. Operation is subject to the following two conditions: (1) this device may not cause harmful interference, and (2) this device must accept any interference received, including interference that may cause undesired operation.

INCLUDED

- GEMINI 2X1 HARD Light Fixture
- GEMINI 2X1 HARD Yoke
- Ultra Light Diffuser
- Domed Diffuser
- Hex L-Key, 6mm (not pictured)



- | | | |
|-----------------------------------------------------------------------------------------------------------------------------------------------------------------------------------------------------------------------------------------------------------------------------------------------------------------------------------------------------------------------------------------|------------------------------------------------------------------------------------------------------------------------------------------------------------------------------------------------------------------------------------------------------------------------------------------------------------------------------------------------------------------------------------------------------------------------------------------------------------------------------------------------------------------------|----------------------------------------------------------------------------------------------------------------------------------------------------------------------------------------------------------------------------------------------------------------------------------------------------------|
| <ul style="list-style-type: none"> (A) DIFFUSER LATCH (2X) (B) DIFFUSER FLAP (C) YOKE (D) TILT LOCK SCREW (E) AIR INTAKE (F) ANTENNA (G) UNIVERSAL COMMS PORT (H) USB PORT (I) TILT LOCK KNOB (J) 1/4-20 FEMALE THREAD (2X) (K) AIR EXHAUST (L) DOVETAIL CHANNEL (2X) | <ul style="list-style-type: none"> (M) MAINS AC POWER INPUT (N) MAINS AC POWER THROUGH (O) 3-PIN XLR DC POWER INPUT JACK (P) ACTIVE COMMS INDICATOR LIGHT (Q) 5-PIN XLR DMX / MASTER/REPLICA INPUT (R) 5-PIN XLR DMX / MASTER/REPLICA OUTPUT (S) RJ45 DMX / MASTER/REPLICA INPUT (T) RJ45 DMX / MASTER/REPLICA OUTPUT (U) DISPLAY (V) CANCEL BUTTON (W) PRESET BUTTONS (6X) (X) PRESET TOGGLE BUTTON | <ul style="list-style-type: none"> (Y) GREEN OFFSET / HUE / MENU KNOB (Z) CCT / SATURATION KNOB (AA) DIMMER / INTENSITY KNOB (AB) POWER / STATUS INDICATOR LIGHT (AC) ON / OFF SWITCH (AD) STANDARD JUNIOR PIN (AE) ACCESSORY LATCH |
|-----------------------------------------------------------------------------------------------------------------------------------------------------------------------------------------------------------------------------------------------------------------------------------------------------------------------------------------------------------------------------------------|------------------------------------------------------------------------------------------------------------------------------------------------------------------------------------------------------------------------------------------------------------------------------------------------------------------------------------------------------------------------------------------------------------------------------------------------------------------------------------------------------------------------|----------------------------------------------------------------------------------------------------------------------------------------------------------------------------------------------------------------------------------------------------------------------------------------------------------|

SEE REVERSE

SETUP

Mount the GEMINI 2X1 HARD with its included Yoke (see "C" above) and Standard Junior Pin ("AD") to a rigging or support system rated for the weight of the fixture and its accessories (not included). Always comply with applicable local regulations. Use supplemental safety equipment (e.g. safety chain or cable, not included) as required.

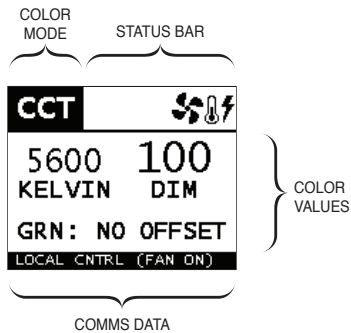
Lock the GEMINI 2X1 HARD in its tilt position with the Tilt Lock Knob ("E"). Use the Tilt Lock Screw ("D") for additional adjustment.

To remove the diffuser, push the two Diffuser Latches ("A"), right and left, away from the center of the light fixture. When released, flip the Diffuser Flap ("B") open. Install a diffuser by setting it in place and pushing the diffuser flap closed until both diffuser latches spring completely back into place.

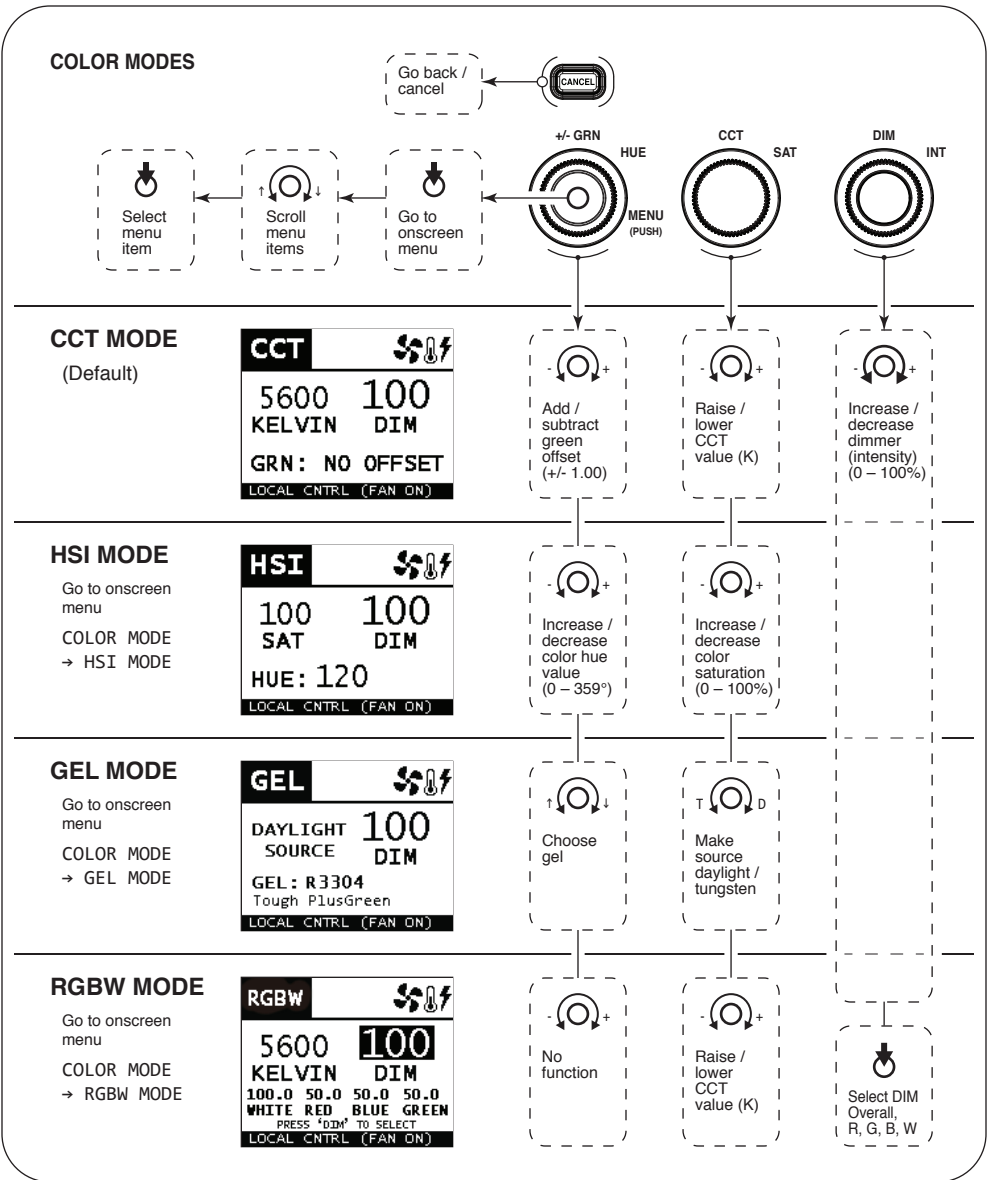
CAUTION: Keep the air intakes ("E") and the air exhaust space ("K") clear of blockage. Allow more than 30 cm [12 inches] of clear air space from the rear of the GEMINI 2X1 HARD to the nearest obstruction. Use only covers and accessories approved by Litepanels®, and ensure that they do not obstruct the air intakes or exhaust.

Connect a battery to the fixture via the 3-Pin XLR DC Power Input Jack ("O") (28-33VDC). Or plug into a mains electrical outlet via a powerCON AC power cable connected to the Mains AC Power Input ("M"). Use only a provided AC power cable. Switch the ON / OFF Power Switch ("AC") to the "ON" position. The GEMINI 2X1 HARD is ready for operation.

For information on customizing effects or controlling the GEMINI 2X1 HARD via DMX, refer to the Litepanels GEMINI Effects Details or DMX Map at www.litepanels.com



COLOR MODES



TROUBLESHOOTING

If the Power/Status Indicator Light ("AB") turns red, flashes red, and/or the light fixture does not operate normally, navigate the menu to SETTINGS -> SYSTEM -> SYSTEM MONITOR to identify active warning or fault conditions. If warning or fault conditions persist, contact litepanels.com/support

Behavior	Power/Status Indicator	Warning or Fault Condition	Recommended Action
There is no light output	Green solid on	No fault; fixture is operating normally	Adjust dimmer knob to change intensity
Green flashes during power up	Green flashes	No fault; fixture is operating normally	Take no action; green flashing stops shortly after power up
Light intensity is decreased by 50%	Green solid on	No fault; Fan is OFF (Local or DMX control)	Change fan settings to enable full output, if desired
Light intensity is decreased by 50%	Red flashes	"C FAN ERR", "R FAN ERR", "L FAN ERR"	Check fans for blockage or stoppage
Light is on	Red flashes	"VIN LOW" (Input Under Voltage Warning)	Change power source
Light turns off	Red solid on	"VIN LOW" (Input Under Voltage Fault) or "VIN HIGH" (Input Over Voltage Fault)	Turn fixture OFF; change power source
Light is on	Red flashes	"LED TEMP", "RGB TEMP", "PCB TEMP" (Over Temperature Warning)	Check fan and vents for blockage or stoppage; Turn dimmer down to 0% and allow light fixture to cool
Light turns off	Red solid on	"LED TEMP", "RGB TEMP", "PCB TEMP" (Over Temperature Fault)	Check fan and vents for blockage or stoppage; Turn light fixture OFF and allow to cool