

STUDIO X2

BI-COLOR

Talent Light with Natural Quality

Litepanels **Studio X LED** Fresnels, engineered by world renowned broadcast lighting professionals Quartzcolor, deliver high-performance, directional, bright white light with precision spot to flood beam control and consistent quality.

Natural talent light with perfect skin tone rendering is achieved with high output Bi-Color COB LEDs to produce superior white light. With no variation in quality at any dimming level from 0-100% or across the adjustable CCT range from **2700°K to 6500°K**, Studio X Bi-Color Fresnels perfectly match ambient and practical set lighting to show talent in a naturally realistic light.

The Studio X2 Bi-Color 60W Fresnel has a 5" lens in a practical compact chassis with a spot-to-flood beam angle range of 10° - 49°. With a maximum output of 2,300 lux at 10ft/3m (spot 5,600K), its output at 3,200K is similar to a 300W traditional tungsten Fresnel. Advanced thermal management ensures 50,000+ hours of LED engine life, while individual burn-in and calibration tests ensure quality and consistency.

With high-quality, single source wrap-around illumination, Studio X is the perfect choice to light your talent – naturally.



PERFECT TALENT LIGHT

- Pure, bright, and consistent white light
- Perfect skin tone rendering

FLAWLESS FRESNEL BEAM

- Even field throughout the zoom range
- Effective light control with barndoors

COMPLETE CONTROL

- DMX, RDM, and local control
- Accurate, fine dimming curve

ENDURING PERFORMANCE

- Installed in leading broadcast studios
- Advanced thermal management

Product Information

Part #	960-2303
Description	Studio X2 Bi-Color 60W LED Fresnel, standard yoke
Includes	LCD graphic display and on-board control panel; 5-pin RDM-DMX in connector; standard yoke with 5/8" (16mm) Baby Pin; PowerCON in connector; built-in universal power supply; 4-leaf rotating barndoor Ø 6.6" (168mm); 10ft (3m) US powerCON True 1 cable; gel frame Ø 6.6" (168mm)

Accessories

900-6801 X2 Gel frame Ø168mm	900-6802 X2 Scrim set Ø168mm	900-6803 X2 Cone w/ variable aperture Ø168mm	900-6804 X2 4-leaf rotating barndoor Ø168mm
--	--	---	--

960-2303 Studio X2 BI-COLOR Specifications

Optical Data

LED engine	Bi-Color COB
Lens	Fresnel 130mm / 5" Ø, low expansion borosilicate
Beam angle	10° - 49°
Correlated Color Temperature	Variable 2,700K to 6,500K
CRI	97
TLCI	97

Operational Data

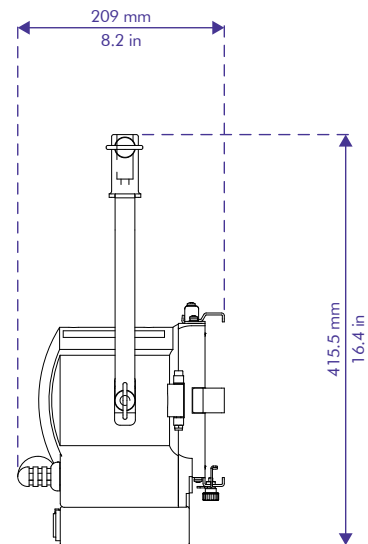
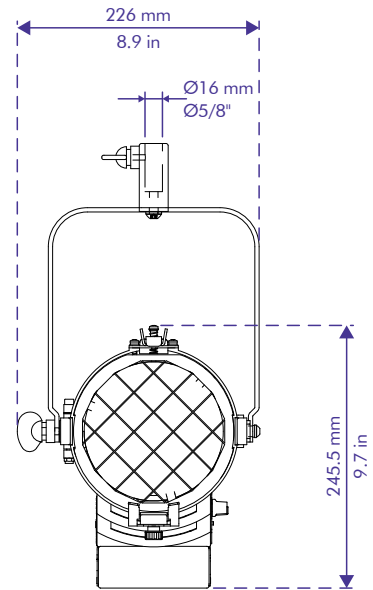
Focus adjustment	Wire focus mechanism on Teflon bushing
Dimming control	PWM with 3 frequency presets, 0-100% continuously adjustable
Local control	Single dial (dimming and CCT) and keypad controller with backlit LCD display
Control connections	5-Pin XLR in and through, Mini-USB
DMX control	Dimming and CCT, 8-bit and 16-bit
RDM control	DMX setup, hour counter, temperature
Fan	High efficiency convection, super silent fan with 3 speed presets
Software [Mini-USB]	Fixture status, firmware upgrade through PC
Ambient operating temperature	0° - 40°C / 32°-104°F
Estimated LED lifetime	50,000 hrs

Mechanical Data

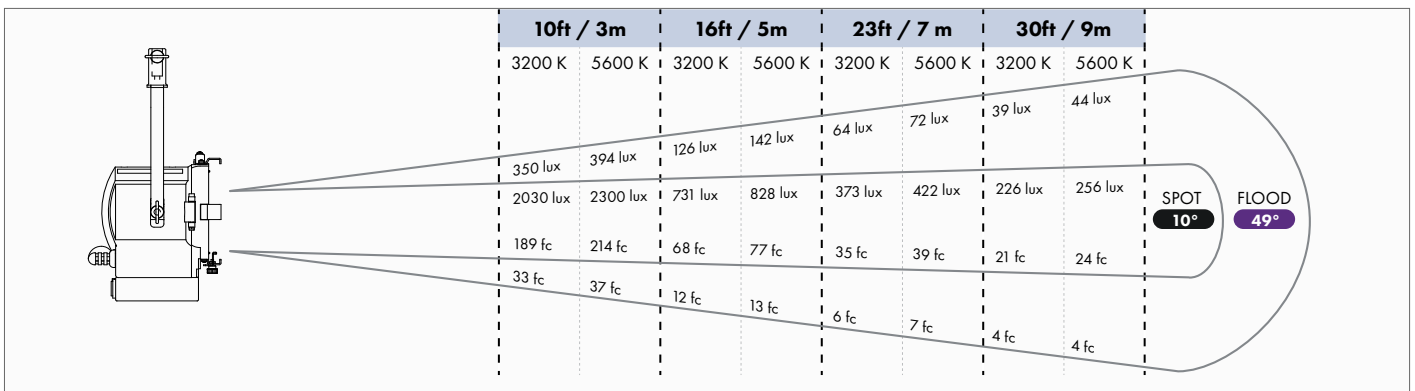
Mounting	Yoke with Baby Pin [16mm / 5/8"]
Weight - manual	3.5kg / 7.72lb
Tilt angle	+/- 90°
Barndoor diameter	168mm / 6.6"
Safety mesh	Stainless steel 168mm / 6.6"

Electrical

Nominal power draw	60W maximum
Power supply	Integrated, universal
Mains input	80 - 260 Vac, 50 - 60 Hz, autosensing
Power connection	powerCON TRUE 1 in
IP rating	IP20



Photometrics



Investing in LED fixtures brings immediate benefits: up to 85% energy savings; extended LED engine life vs halogen lamp; no external dimmers required; reduced HVAC requirements due to lack of heat.

All product, specs and data are subject to change without notice
©2021, Litepanels. All rights reserved.