

STUDIO X4

Tungsten

Talent Light with Natural Quality

Litepanels **Studio X LED** Fresnels, engineered by world renowned broadcast lighting professionals Quartzcolor, deliver high-performance, directional, bright white light with precision spot to flood beam control and consistent quality.

Natural talent light with perfect skin tone rendering is achieved with high output COB LEDs to produce superior white light. With no variation in quality at any dimming level from 0-100%, Studio X Fresnels perfectly match ambient and practical set lighting to show talent in a naturally realistic light.

The Studio X4 Tungsten (3,200K) 150W Fresnel has a 7" lens with spot-to-flood beam angle range of 14.5°-43.5°. The fixture output is similar to a 650W traditional tungsten Fresnel. Advanced thermal management ensures 50,000+ hours of LED engine life, while individual burn-in and calibration tests ensure quality and consistency.

With high-quality, single source wrap-around illumination, Studio X is the perfect choice to light your talent – naturally.



PERFECT TALENT LIGHT

- Pure, bright, and consistent white light
- Perfect skin tone rendering

FLAWLESS FRESNEL BEAM

- Even field throughout the zoom range
- Effective light control with barndoors

COMPLETE CONTROL

- DMX, RDM, and local control
- Accurate, fine dimming curve

ENDURING PERFORMANCE

- Installed in leading broadcast studios
- Advanced thermal management

Product Information

Part #	960-4302
Description	Studio X4 Tungsten 150W LED Fresnel, standard yoke
Includes	LCD graphic display and on-board control panel; 5-pin RDM-DMX in/out connectors; standard yoke with 1 1/8" (28mm) Jr Pin; Power-con in/out connectors; built-in universal power supply; 4-leaf rotating barndoor Ø 10.6" (269mm); 10ft (3m) US powerCON True 1 cable; gel frame Ø 10.2" (258mm)

Accessories

900-6810 X4 Gel frame Ø258mm	900-6811 X4 Scrim set Ø258mm	900-6812 X4 Cone w/ variable aperture Ø269mm	900-6813 X4 4-leaf rotating barn-door Ø269mm	900-6814 X4 8-leaf rotating barn-door Ø269mm
--	--	--	--	--

960-4302 Studio X4 Tungsten Specifications

Optical Data

LED engine	Tungsten COB
Lens	Fresnel 175mm / 7" Ø, low expansion borosilicate
Beam angle	14.5° - 43.5°
Correlated Color Temperature	3,200K
CRI	>90

Operational Data

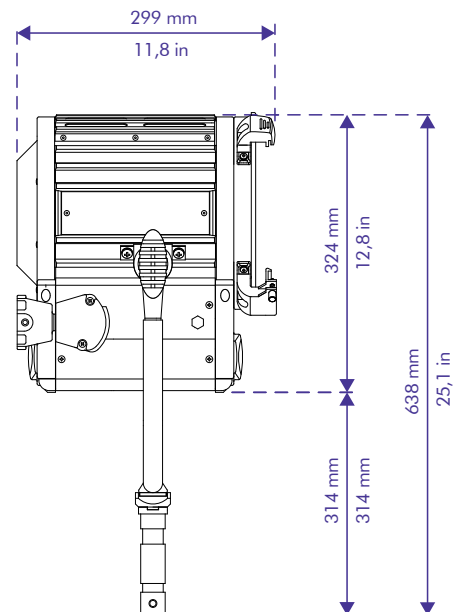
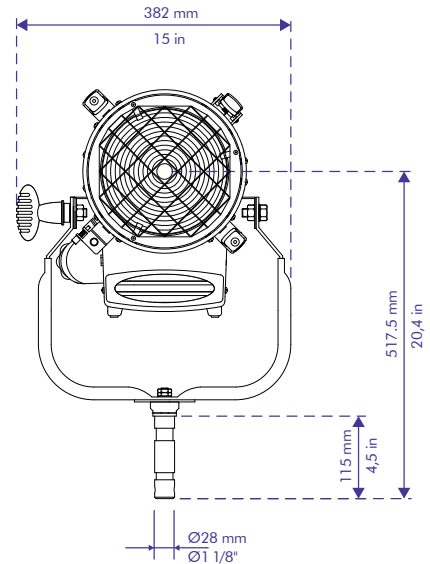
Focus adjustment	Wire focus mechanism on Teflon bushing
Dimming control	Constant Current 0-100% Continuous
Local control	Single dial (dimming) and keypad controller with backlit LCD display
Control connections	5-Pin XLR in and through, Mini-USB
DMX control	Dimming, 8-bit and 16-bit
RDM control	DMX setup, hour counter, temperature
Fan	High efficiency convection, super silent fan with 3 speed presets
Software [Mini-USB]	Fixture status, firmware upgrade through PC
Ambient operating temperature	0° - 40°C / 32°-104°F
Estimated LED lifetime	50,000 hrs

Mechanical Data

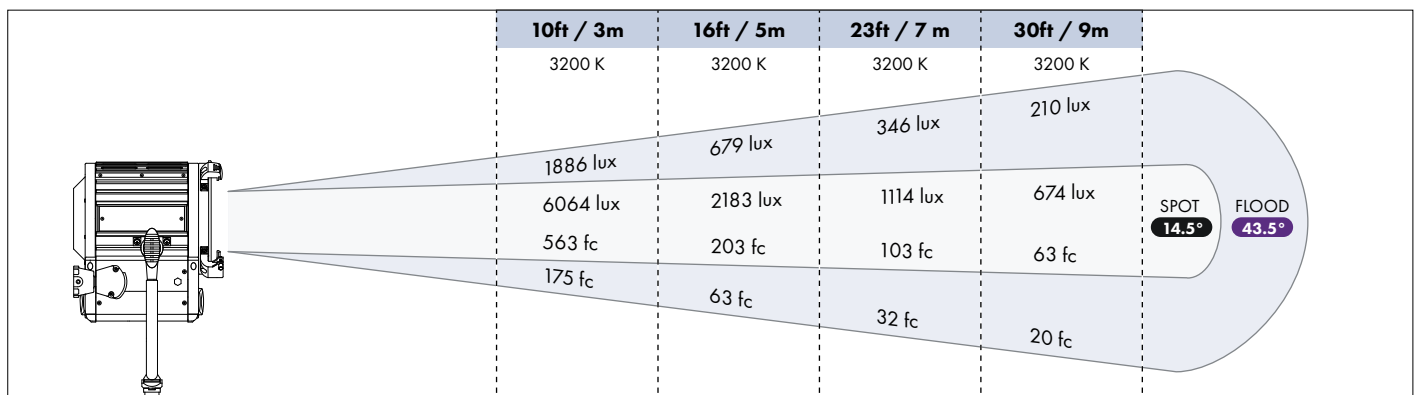
Mounting	Yoke with lateral thrust bearing and lock off knob, Jr Pin # [28mm / 1 1/8"]
Weight - manual	9.3kg / 20.5lb
Tilt angle	+/- 90°
Barndoor diameter	269mm / 10.6"
Safety mesh	Stainless steel 25x25mm / 1x1"

Electrical

Nominal power draw	150W maximum
Power supply	Integrated, universal
Mains input	90 - 260 Vac, 50/60 Hz, autosensing
Power connection	powerCON TRUE 1, in and through
IP rating	IP20



Photometrics



Investing in LED fixtures brings immediate benefits: up to 85% energy savings; extended LED engine life vs halogen lamp; no external dimmers required; reduced HVAC requirements due to lack of heat.

All product, specs and data are subject to change without notice
©2021, Litepanels. All rights reserved.