

# STUDIO X5

## Daylight

### Talent Light with Natural Quality

Litepanels **Studio X LED** Fresnels, engineered by world renowned broadcast lighting professionals Quartzcolor, deliver high-performance, directional, bright white light with precision spot to flood beam control and consistent quality.

Natural talent light with perfect skin tone rendering is achieved with high output COB LEDs to produce superior white light. With no variation in quality at any dimming level from 0-100%, Studio X Fresnels perfectly match ambient and practical set lighting to show talent in a naturally realistic light.

The Studio X5 Daylight (5,600K) 200W Fresnel has a 10" lens with a wide spot-to-flood beam angle range of 16°-67°. The fixture offers output of 9,560 lux at 10ft/3m (spot). Advanced thermal management ensures 50,000+ hours of LED engine life, while individual burn-in and calibration tests ensure quality and consistency.

With high-quality, single source wrap-around illumination, Studio X is the perfect choice to light your talent – naturally.



#### PERFECT TALENT LIGHT

- Pure, bright, and consistent white light
- Perfect skin tone rendering

#### FLAWLESS FRESNEL BEAM

- Even field throughout the zoom range
- Effective light control with barndoors

#### COMPLETE CONTROL

- DMX, RDM, and local control
- Accurate, fine dimming curve

#### ENDURING PERFORMANCE

- Installed in leading broadcast studios
- Advanced thermal management

## Product Information

<b>Part #</b>	960-5301
<b>Description</b>	Studio X5 Daylight 200W LED Fresnel, standard yoke
<b>Includes</b>	LCD graphic display and on-board control panel; 5-pin RDM-DMX in/out connectors; standard yoke with 1 1/8" (28mm) Jr Pin; Power-con in/out connectors; built-in universal power supply; 4-leaf rotating barndoor Ø 12.7" (323mm); 10ft (3m) US powerCON True 1 cable; gel frame Ø 12.7" (323mm)

## Accessories

<b>900-6815</b> X5 & X6 Gel frame Ø323mm	<b>900-6816</b> X5 & X6 Scrim set Ø320mm	<b>900-6817</b> X5 & X6 Cone small aperture Ø323mm	<b>900-6818</b> X5 & X6 Cone medium aperture Ø323mm	<b>900-6819</b> X5 & X6 Cone large aperture Ø323mm	<b>900-6820</b> X5 & X6 4-leaf rotating barndoor Ø323mm	<b>900-6821</b> X5 & X6 8-leaf rotating barndoor Ø323mm
--	--	---	--	---	--	--

# 960-5301 Studio X5 Daylight Specifications

## Optical Data

LED engine	Daylight COB
Lens	Fresnel 250mm / 10" Ø, low expansion borosilicate
Beam angle	16° - 67°
Correlated Color Temperature	5,600K
CRI	>90

## Operational Data

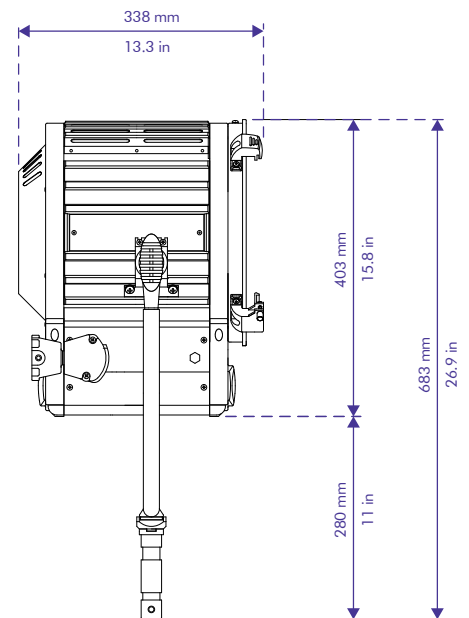
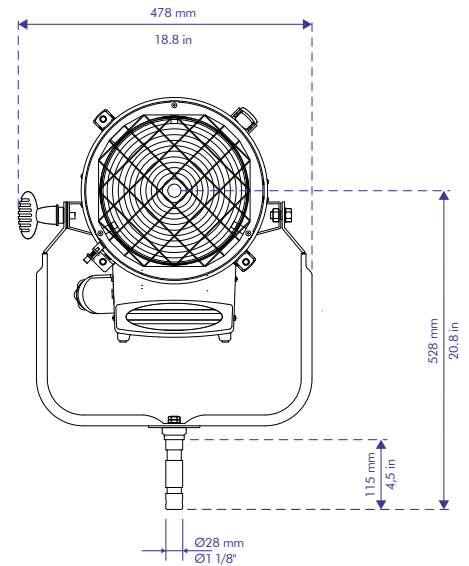
Focus adjustment	Wire focus mechanism on Teflon bushing
Dimming control	Constant Current 0-100% Continuous
Local control	Single dial (dimming) and keypad controller with backlit LCD display
Control connections	5-Pin XLR in and through, Mini-USB
DMX control	Dimming, 8-bit and 16-bit
RDM control	DMX setup, hour counter, temperature
Fan	High efficiency convection, super silent fan with 3 speed presets
Software [Mini-USB]	Fixture status, firmware upgrade through PC
Ambient operating temperature	0° - 40°C / 32°-104°F
Estimated LED lifetime	50,000 hrs

## Mechanical Data

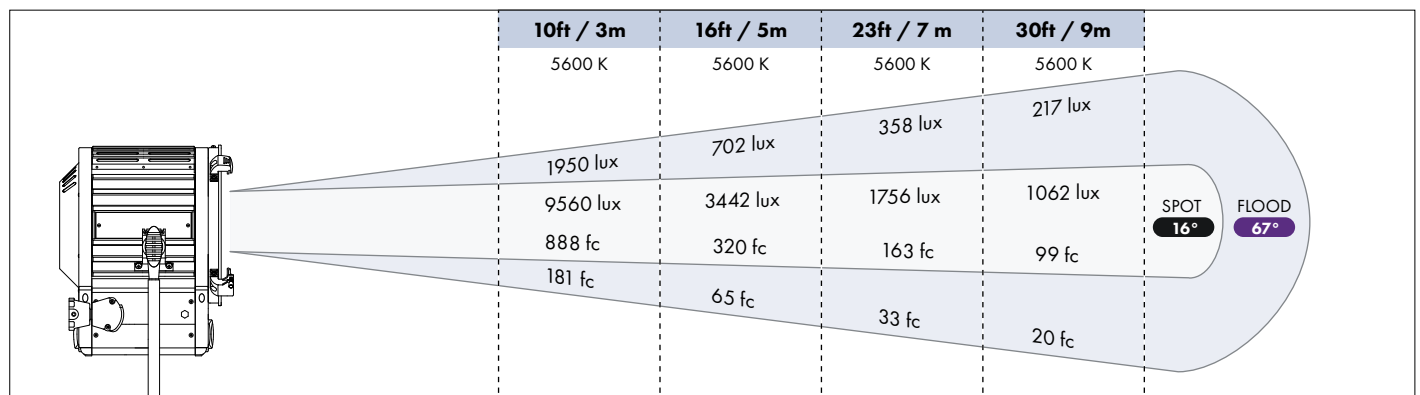
Mounting	Yoke with lateral thrust bearing and lock off knob, Jr Pin [28mm / 1 1/8"]
Weight - manual	12.7kg / 28lb
Tilt angle	+/- 90°
Barndoor diameter	323mm / 12.7"
Safety mesh	Stainless steel 25x25mm / 1x1"

## Electrical

Nominal power draw	200W maximum
Power supply	Integrated, universal
Mains input	90 - 260 Vac, 50/60 Hz, autosensing
Power connection	powerCON TRUE 1, in and through
IP rating	IP20



## Photometrics



Investing in LED fixtures brings immediate benefits: up to 85% energy savings; extended LED engine life vs halogen lamp; no external dimmers required; reduced HVAC requirements due to lack of heat.

All product, specs and data are subject to change without notice  
©2021, Litepanels. All rights reserved.