

STUDIO X7

Tungsten

Talent Light with Natural Quality

Litepanels **Studio X LED** Fresnels, engineered by world renowned broadcast lighting professionals Quartzcolor, deliver high-performance, directional, bright white light with precision spot to flood beam control and consistent quality.

Natural talent light with perfect skin tone rendering is achieved with high output COB LEDs to produce superior white light. With no variation in quality at any dimming level from 0-100%, Studio X Fresnels perfectly match ambient and practical set lighting to show talent in a naturally realistic light.

The Studio X7 Tungsten (3,200K) 360W Fresnel has a 14" lens with a spot-to-flood beam angle range of 12°-60°. The fixture output is similar to a 2KW traditional tungsten Fresnel. Advanced thermal management ensures 50,000+ hours of LED engine life, while individual burn-in and calibration tests ensure quality and consistency.

With high-quality, single source wrap-around illumination, Studio X is the perfect choice to light your talent – naturally.



PERFECT TALENT LIGHT

- Pure, bright, and consistent white light
- Perfect skin tone rendering

FLAWLESS FRESNEL BEAM

- Even field throughout the zoom range
- Effective light control with barndoors

COMPLETE CONTROL

- DMX, RDM, and local control
- Accurate, fine dimming curve

ENDURING PERFORMANCE

- Installed in leading broadcast studios
- Advanced thermal management

Product Information

Part #	960-7302
Description	Studio X7 Tungsten 360W LED Fresnel, standard yoke
Includes	LCD graphic display and on-board control panel; 5-pin RDM-DMX in/out connectors; standard yoke with 1 1/8" (28mm) Jr Pin; Powercon in/out connectors; built-in universal power supply; 4-leaf rotating barndoor Ø 16" (401mm); 10ft (3m) US powerCON True 1 cable; gel frame Ø 16" (408mm)

Accessories

900-6822 X7 Gel frame Ø408mm	900-6823 X7 Scrim set 4 pieces Ø408mm	900-6824 X7 Cone small aperture Ø401 mm	900-6825 X7 Cone medium aperture Ø401 mm	900-6826 X7 Cone large aperture Ø401 mm	900-6827 X7 4-leaf rotating barndoor Ø401 mm	900-6828 X7 8-leaf rotat- ing barndoor Ø401 mm
---	--	--	---	--	--	--

960-7302 Studio X7 Tungsten Specifications

Optical Data

LED engine	Tungsten COB
Lens	Fresnel 350mm / 14" Ø, low expansion borosilicate
Beam angle	12° - 60°
Correlated Color Temperature	3,200K
CRI	>90

Operational Data

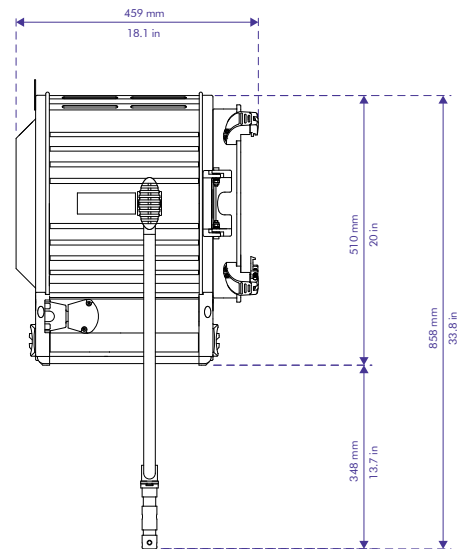
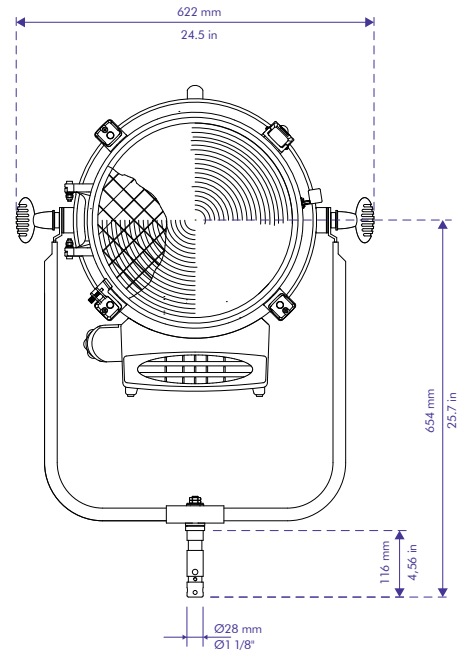
Focus adjustment	Wire focus mechanism on Teflon bushing
Dimming control	Constant Current 0-100% Continuous
Local control	Single dial (dimming) and keypad controller with backlit LCD display
Control connections	5-Pin XLR in and through, Mini-USB
DMX control	Dimming, 8-bit and 16-bit
RDM control	DMX setup, hour counter, temperature
Fan	High efficiency convection, super silent fan with 3 speed presets
Software [Mini-USB]	Fixture status, firmware upgrade through PC
Ambient operating temperature	0° - 40°C / 32°-104°F
Estimated LED lifetime	50,000 hrs

Mechanical Data

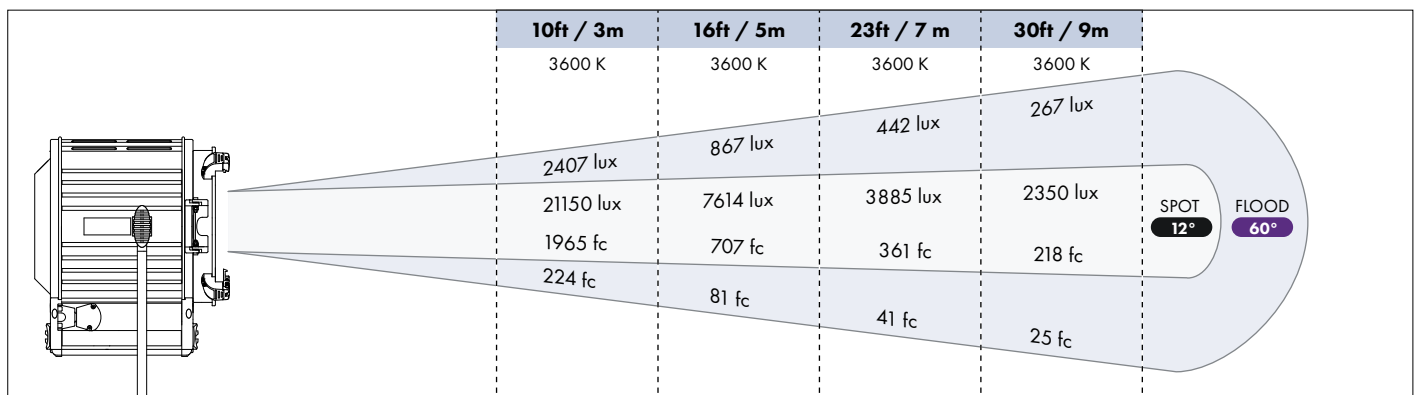
Mounting	Yoke with lateral thrust bearing and lock off knob, Jr Pin [28mm / 1 1/8"]
Weight - manual	24kg / 52.9lb
Tilt angle	+/- 90°
Barndoor diameter	401 mm / 16"
Safety mesh	Stainless steel 25x25mm / 1x1"

Electrical

Nominal power draw	360W maximum
Power supply	Integrated, universal
Mains input	90 - 260 Vac, 50/60 Hz, autosensing
Power connection	powerCON TRUE 1, in and through
IP rating	IP20



Photometrics



Investing in LED fixtures brings immediate benefits: up to 85% energy savings; extended LED engine life vs halogen lamp; no external dimmers required; reduced HVAC requirements due to lack of heat.

All product, specs and data are subject to change without notice
©2021, Litepanels. All rights reserved.